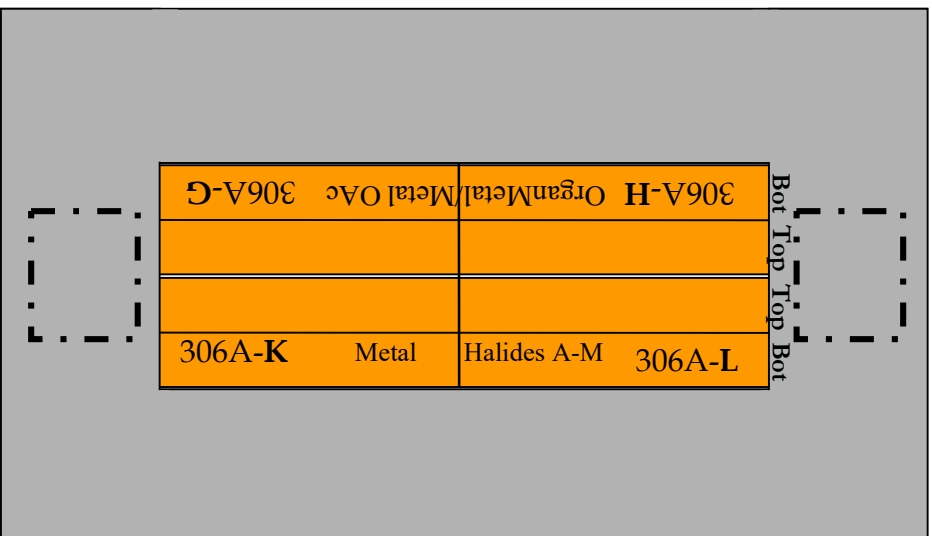
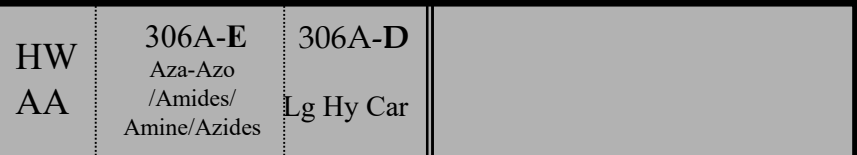


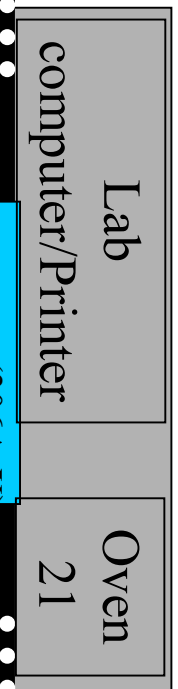
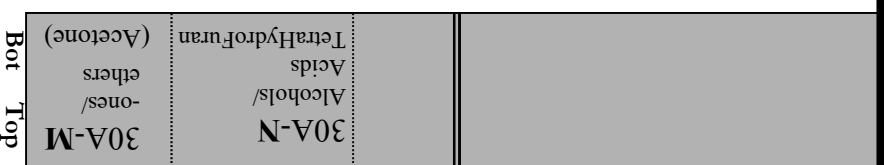
306A-Z	306A-Y	306A-C
306A-W	306A-B	306A-A

Top Bot



306A-P	306A-O
--------	--------

Bot Top



Top

Large-Na/K (306A-X)
Na Hal, OAc, Sox (306A-J)
K Hal, OAc, Sox (306A-I)

Bot

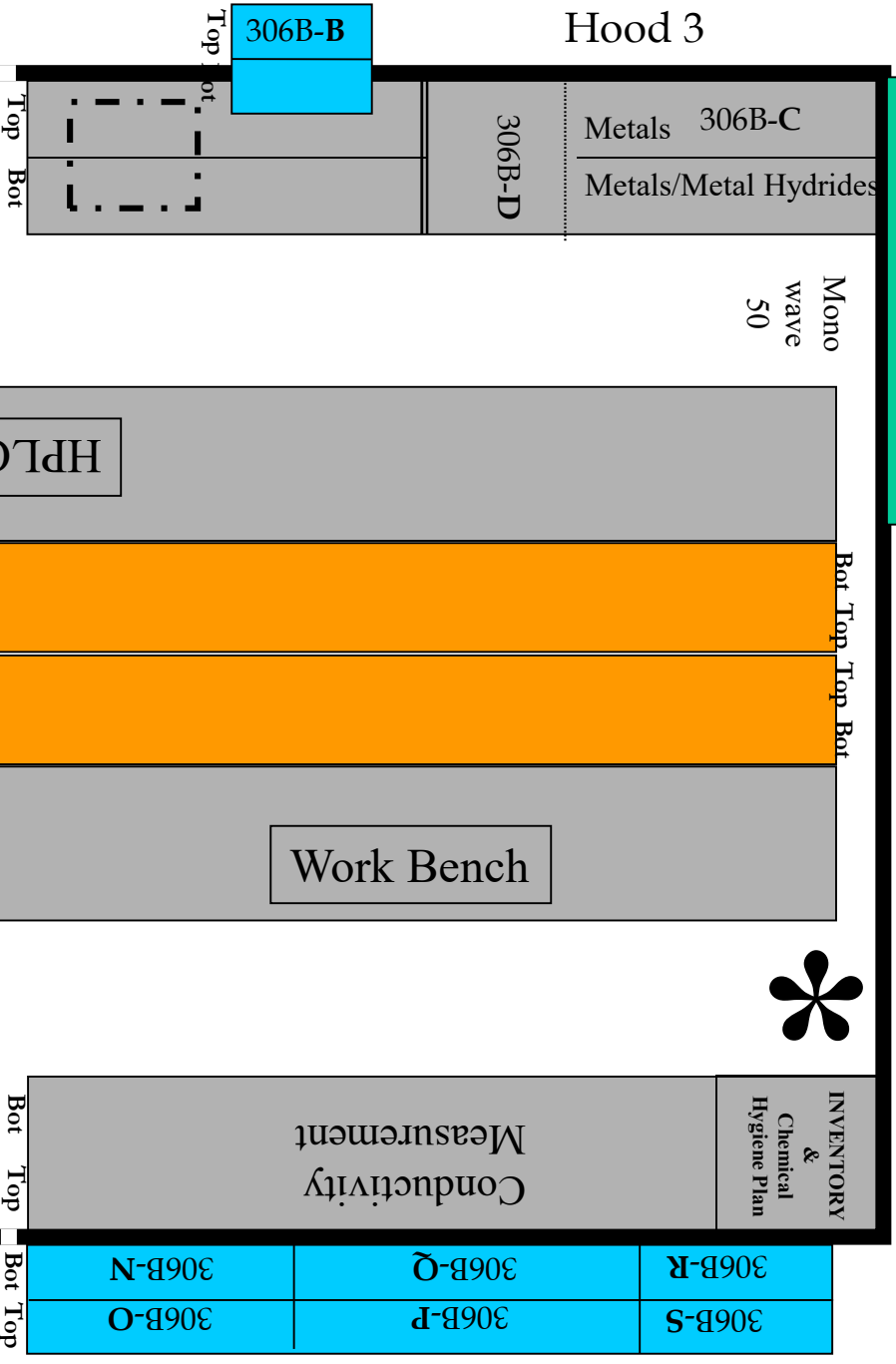
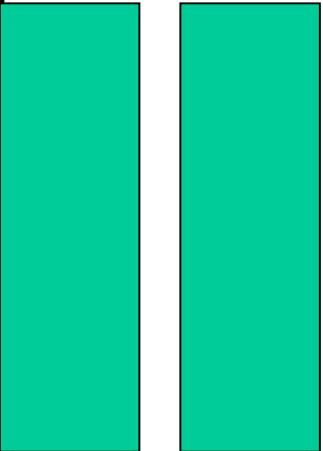
**Emergency Telephone Contacts:**

Fire and Medical Emergencies-----8-9111  
 Work Order Control (24 hr.)-----6-31113  
 Mark Marrotte-----8-429-6554  
 Poison Control Center--8-1-800-343-272

*Safety and Inventory* information can be found in R306B

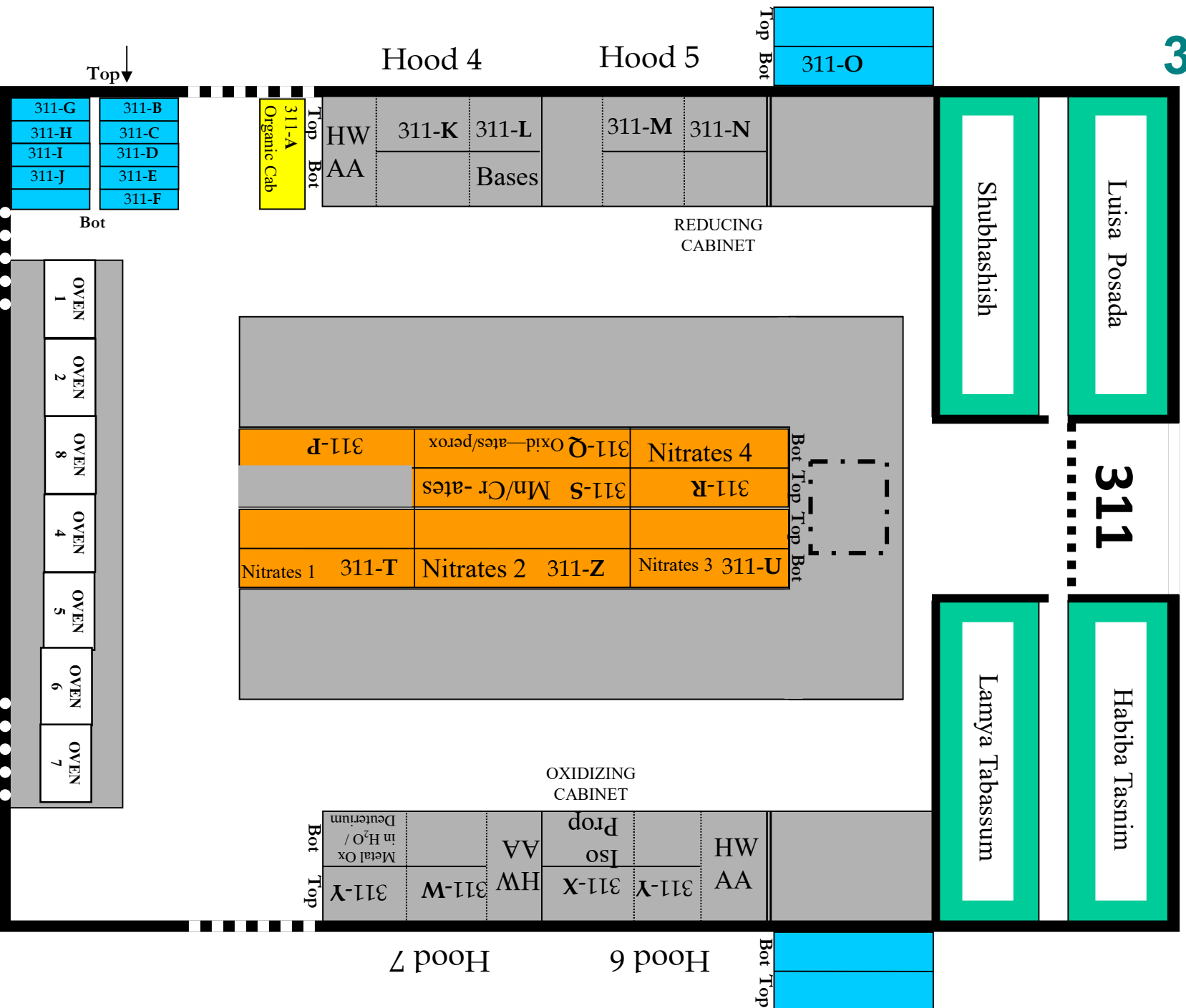
# 306B

## *Safety and Inventory* information bulletin board



**Emergency Telephone Contacts:**  
 Fire and Medical Emergencies-----8-9111  
 Work Order Control (24 hr.)-----6-3113  
 Mark Marotte-----8-429-6554  
 Poison Control Center--8-1-800-343-272

3



**Emergency Telephone Contacts:**

Fire and Medical Emergencies-----8-9111  
 Work Order Control (24 hr.)-----6-31113  
 Mark Marrotte-----8-429-6554  
 Poison Control Center--8-1-800-343-272

*Safety and Inventory* information  
 can be found in R306B

# Organic Cabinet

*Liquid Organics &*

*Liquid Inorganics*

***NO CORROSIVES***

Alcohols / Org in Alcohols
Alcohols/Glycerol/Glycol
Small Bottle Alkanes & Alkenes/ Aldehydes/Oxy Alkanes
Liquid Sulfur and Phosphorous Compounds/Miscellaneous
Medium Bottle Alkanes & Alkenes

**Emergency Telephone Contacts:**

Fire and Medical Emergencies-----8-9111

Work Order Control (24 hr.)-----6-3113

Mark Marrotte-----8-429-6554

Poison Control Center--8-1-800-343-272

*Safety and Inventory* information  
can be found in R306B

# 5

## Supports Shelf A

### Top Shelf

Kaolinites, Bentonites, Bentolite, Montmor: Uonite, Zeolite NaY, Kaopolites, Zeolite 25m-5, Matting Agent

### 2nd Shelf

Ion Exchange Resin, Sodium Mordenite, Microthen F Powders, Tisoh Na-K-F or R, Dowex Ion Exchange Resin, Amberlite, Alumina

### 3rd Shelf

Mirogrit, Zeolite Type 4A, Soapstone, Macaloia Rheology Additive, Celite, Fluid Cracking Catalyst, Bentone 50-2 Rheological additive

### 4th Shelf

Charcoal, Activated Charcoal, Supercarb Absorbant, Iron Catalyst, Copper Powder, Copper, Dendritic, Molybdenum Catalyst, Silica Alumina Catalyst

### Bottom Shelf

Molecular Sieve, Tergitol Surfactant 15-5-30, Trinton Surfactant x-100, Tergitol Surfactant Np-35, Tergitol Surfactant Np-7, Tergitol Surfactant 15-5-15, Tergitol Surfactant 15-5-20, Tergitol Surfactant 15-5-15, Trinton Surfactant x-114, Synthetic Amorphous Precipitated Silica, Silicate Aerosil 200, Sodium Silicate

## Supports Shelf B

Glass wool, Boiling chips, Drierite, silicon rubber, M catalysts, Si powder, Vorclay, Glass beads, Ion exchange resin, Molecular sieves

### Floor

Empty bottles, Paraffin oil, pump oil, sand

### **Emergency Telephone Contacts:**

Fire and Medical Emergences-----8-9111  
Work Order Control (24 hr.)-----6-3113  
Mark Marrotte-----8-429-6554  
Poison Control Center--8-1-800-343-272

*Safety and Inventory* information  
can be found in R306B

Seth March

313

Chao Li

Oluwasegun Abolade

Scott Bamonte

313-P

RotaVap

Top Bot

Hood 8

Hood 9

313-K Silicates (L)	313-L	313-M	HW	313-N	313-O
		Alky Bnz/ Nitro Bnz	AA		

Top Bot

313-A			313-B			313-C Si/Al-ates		
313-Z			313-Y			313-X		
313-J S,Se,B -ides			313-I Carbonates 2			313-H Carbonates 1		

Bot Top Top Bot



313-W  
313-V

Bot Top

Hood 10

Hood 11

313-Q Inorg Acid	313-P	313-R	313-S	313-T	313-U Org Acid
HW	AA				

Bot Top

BALANCES

UV-Vis

**Emergency Telephone Contacts:**

Fire and Medical Emergencies-----8-9111  
 Work Order Control (24 hr.)-----6-31113  
 Mark Marrotte-----8-429-6554  
 Poison Control Center--8-1-800-343-2772

Top

313-F

313-D

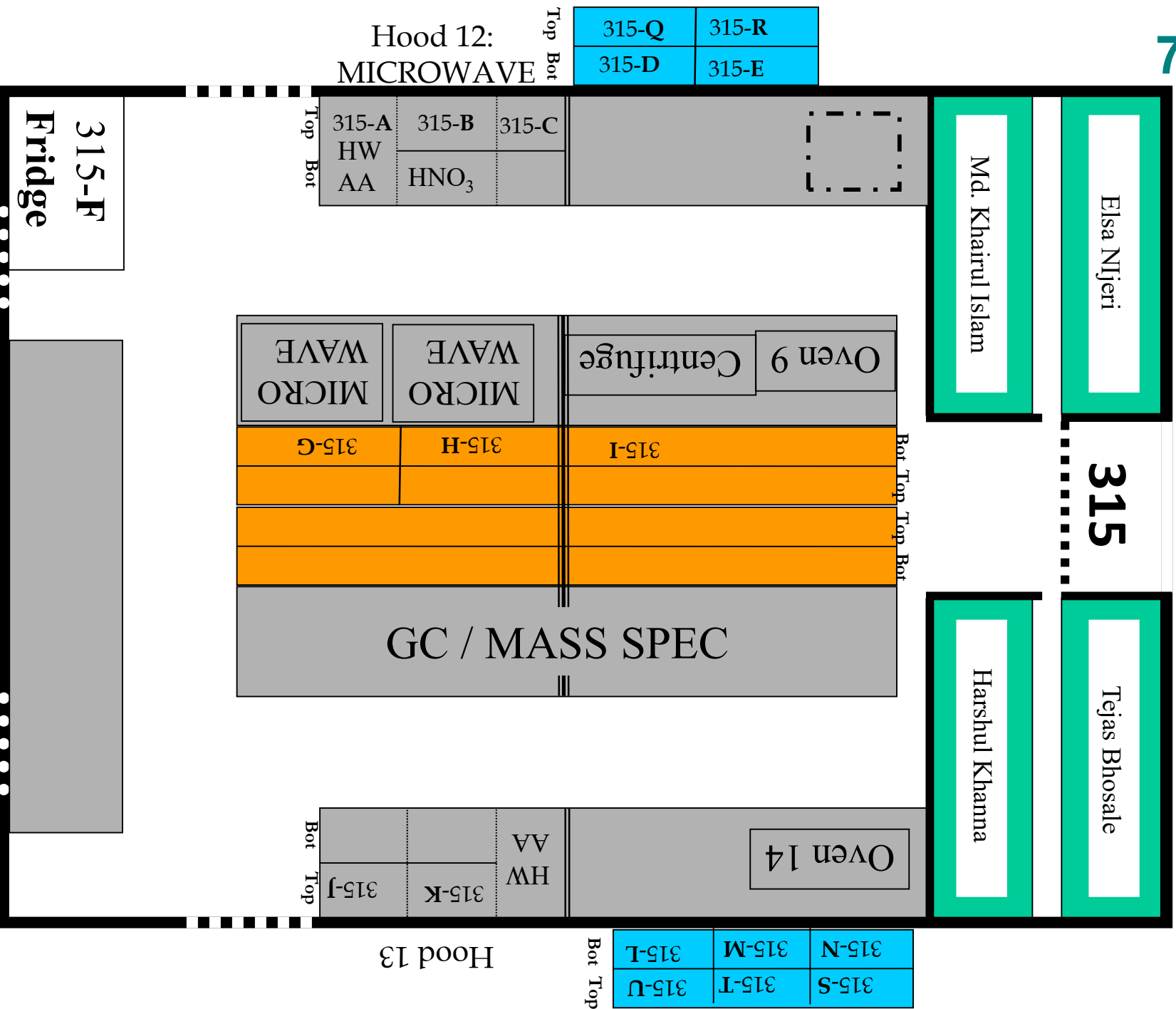
Bot

313-G Hydroxides 313-E

Top

*Safety and Inventory* information

can be found in R306B



315-Q	315-R
315-D	315-E

Hood 12:  
MICROWAVE

315-A HW AA	315-B HNO <sub>3</sub>	315-C
-------------------	---------------------------	-------

Oven 9	Centrifuge	MICRO WAVE	MICRO WAVE
315-I	315-H	315-G	
GC / MASS SPEC			

315-N	315-S
315-M	315-T
315-L	315-U

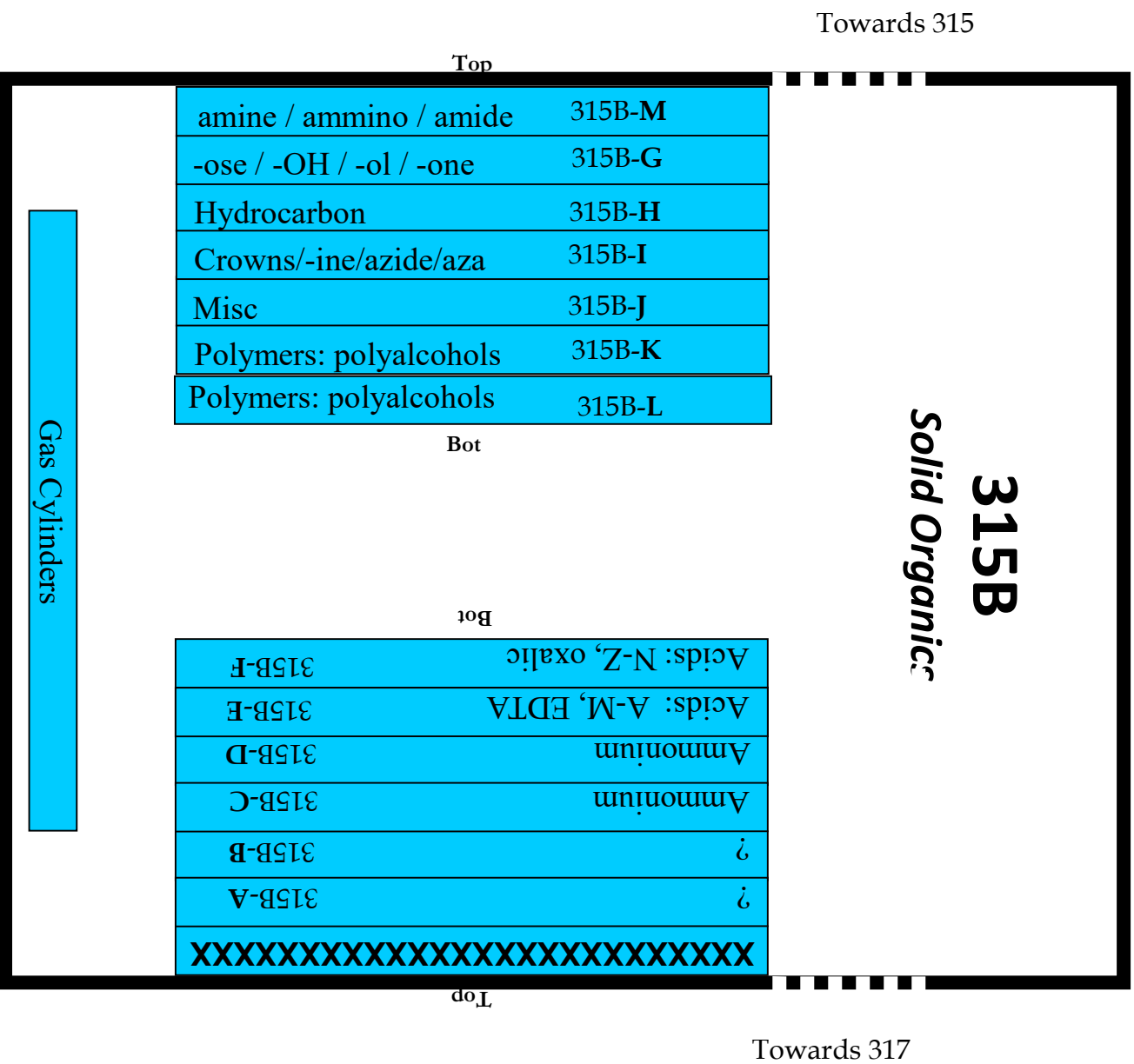
Hood 13

315-J	315-K
HW	AA

315-P	315-O
-------	-------

**Emergency Telephone Contacts:**  
 Fire and Medical Emergencies-----8-9111  
 Work Order Control (24 hr.)-----6-31113  
 Mark Marrotte-----8-429-6554  
 Poison Control Center--8-1-800-343-272

*Safety and Inventory information  
 can be found in R306B*



**Emergency Telephone Contacts:**  
 Fire and Medical Emergencies-----8-9111  
 Work Order Control (24 hr.)-----6-31113  
 Mark Marrotte-----8-429-6554  
 Poison Control Center--8-1-800-343-272

*Safety and Inventory* information  
 can be found in R306B



Inosh Perera

Xueni Huang

317

Issac Olowookere

Alireza Shirazi-Amin

317-G	317-I
317-F	317-H

317-L	317-M	317-K Silica / Ti / Al / M Oxides
317-N		

Hood 14

Top Bot

317-Y 317-C 317B-E

Small Gas Cylinders

Photoreactor

PORTABLE MASS SPEC

Hood 15

Bot Top

317-V 317-A 317-B AA

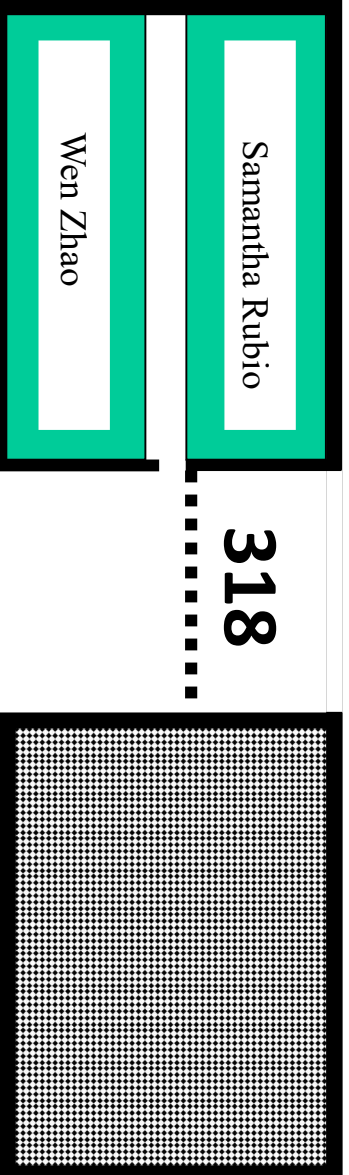
HW

Top	Top
Bot	317-X

Top	Top
Bot	317-Z

**Emergency Telephone Contacts:**  
 Fire and Medical Emergencies-----8-9111  
 Work Order Control (24 hr.)-----6-31113  
 Mark Marrotte-----8-429-6554  
 Poison Control Center--8-1-800-343-272

*Safety and Inventory* information can be found in R306B



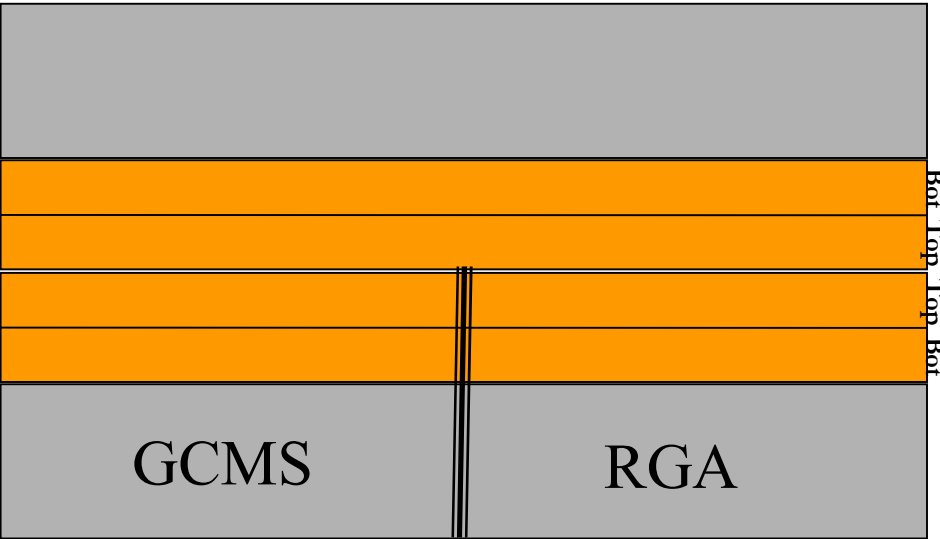
318-V	318-W	318-Y
318-T	318-U	318-X

Top Bot

Hood 16



Top Bot

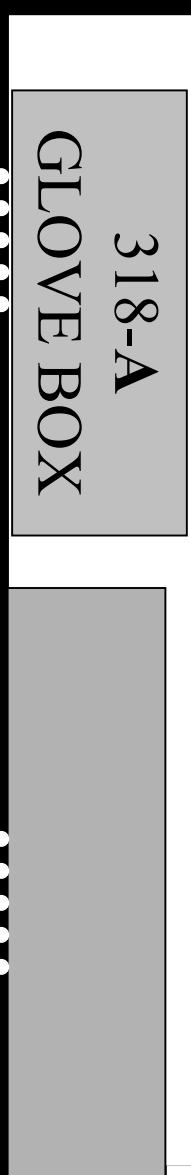


Bot Top Top Bot



Bot Top

Hood 17



Top

Bot

**Emergency Telephone Contacts:**

Fire and Medical Emergencies-----8-9111  
 Work Order Control (24 hr.)-----6-31113  
 Mark Marrotte-----8-429-6554  
 Poison Control Center--8-1-800-343-272

**Safety and Inventory**

information can be  
 found in R306B

# 318

Summer 2021

Gas Cylinders

Hood 18

Bot	Top
CH3CN	Anilines/
Dimethyl	Formide

## High Pressure Reactor

### IR

318-N

318-M

Top	318-W	318-Y
Bot	318-Q	318-Z

Bot Top

Top Bot